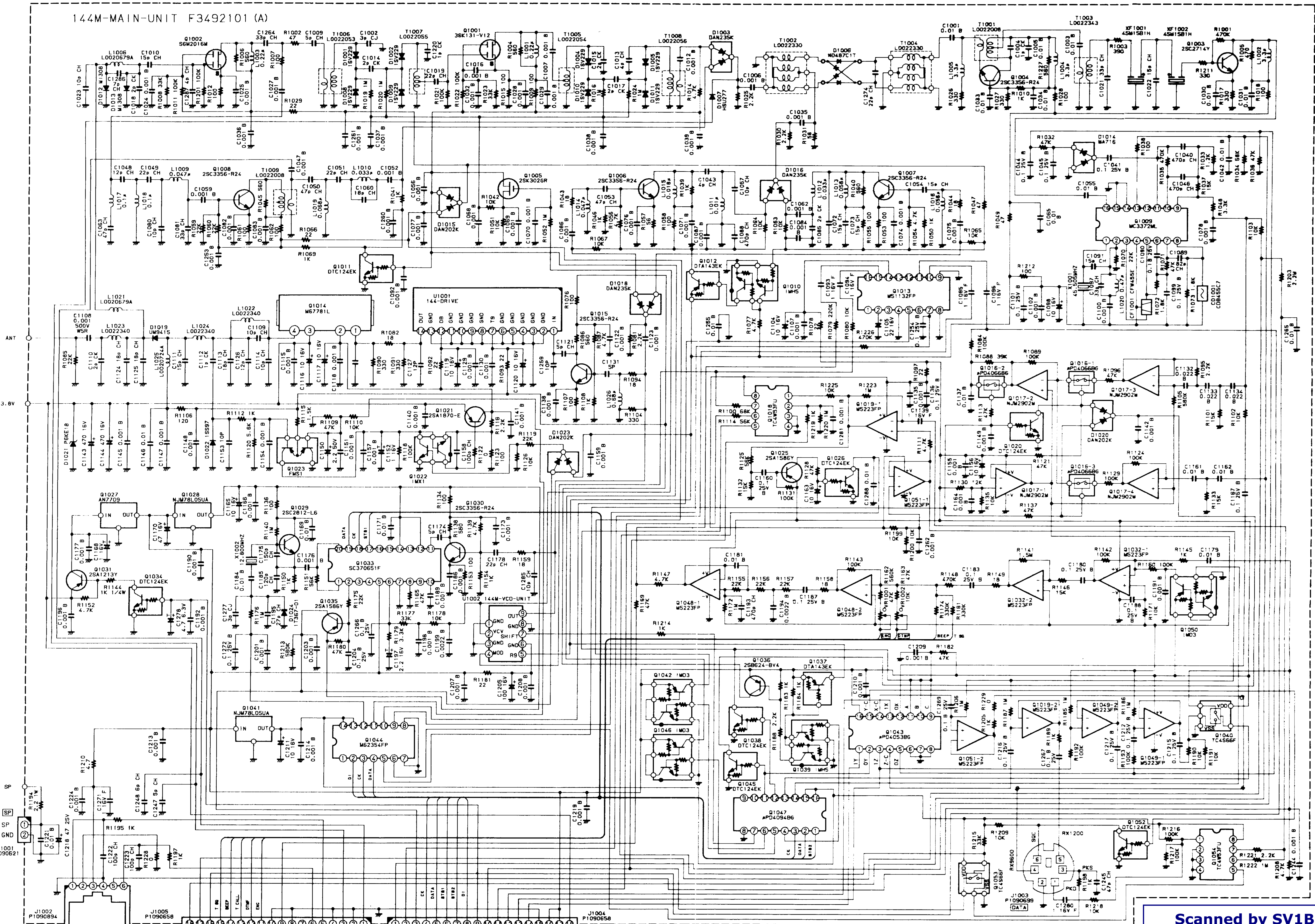
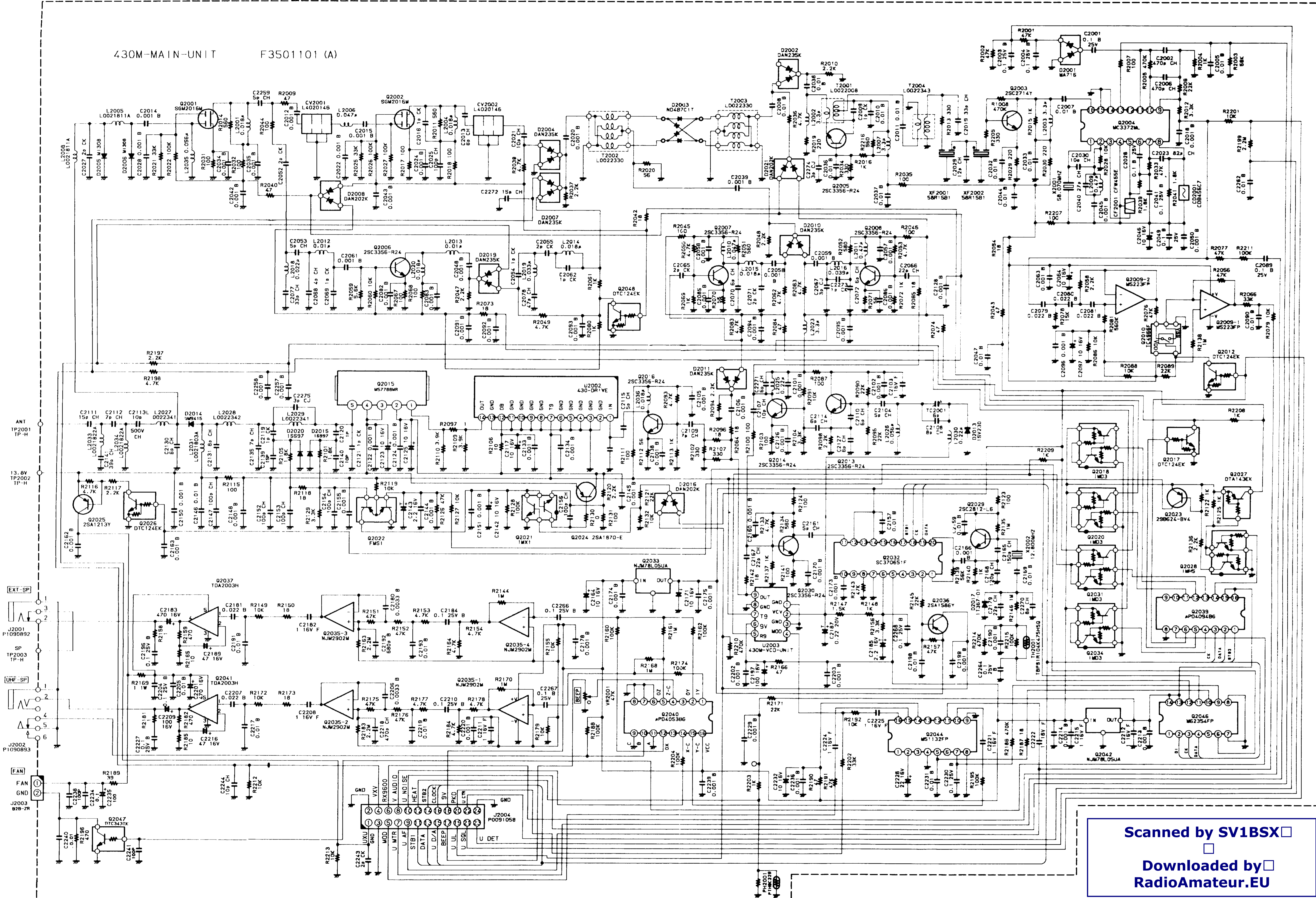


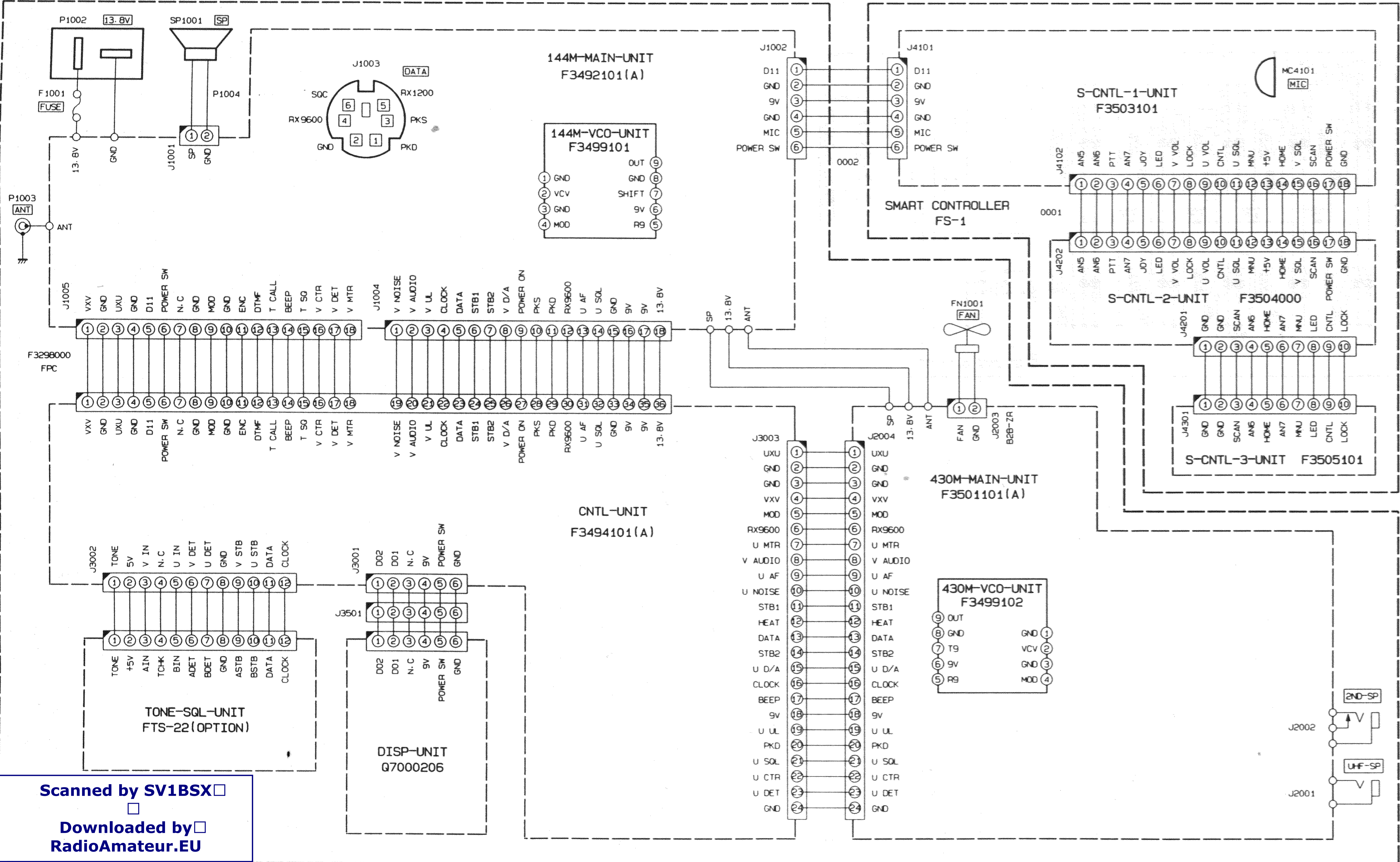
144M-MAIN-UNIT F3492101 (A)



NOTE:
 RESISTOR VALUES ARE IN OHMS UNLESS OTHERWISE NOTED.
 CAPACITOR VALUES ARE IN P.F. UNLESS OTHERWISE NOTED.
 INDUCTOR VALUES ARE IN MILLI-HENRY UNLESS OTHERWISE NOTED.

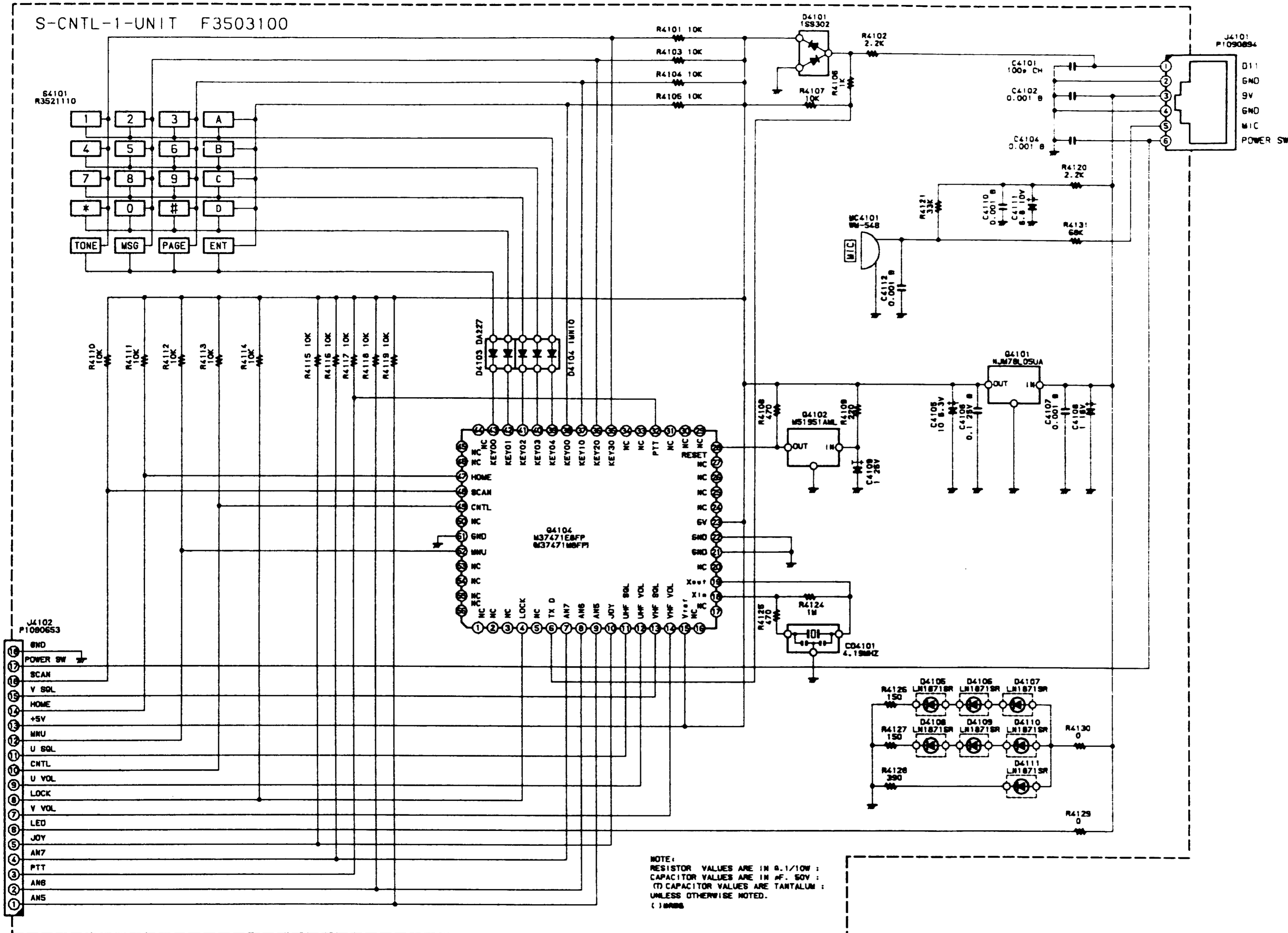
430M-MAIN-UNIT F3501101 (A)



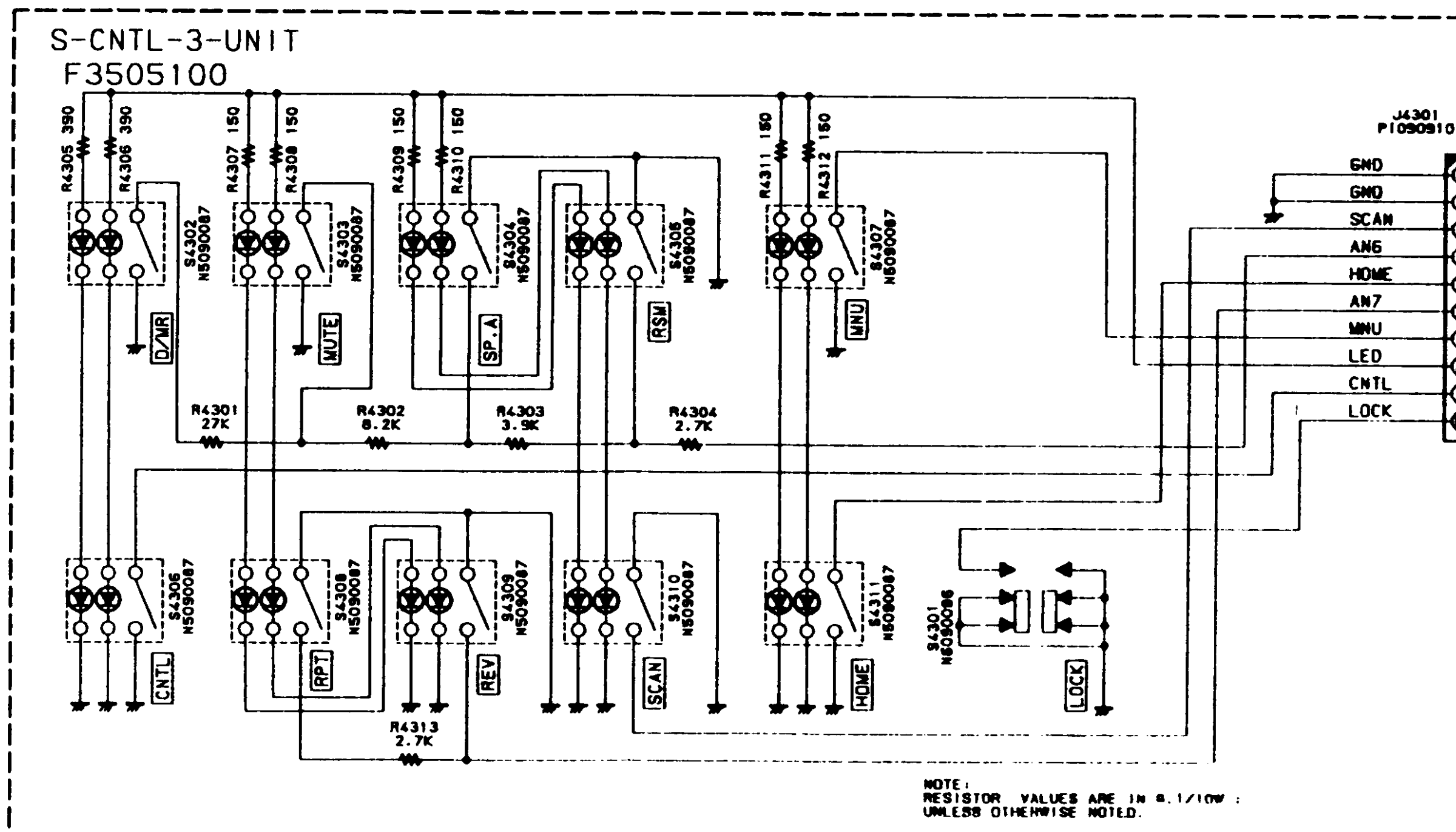
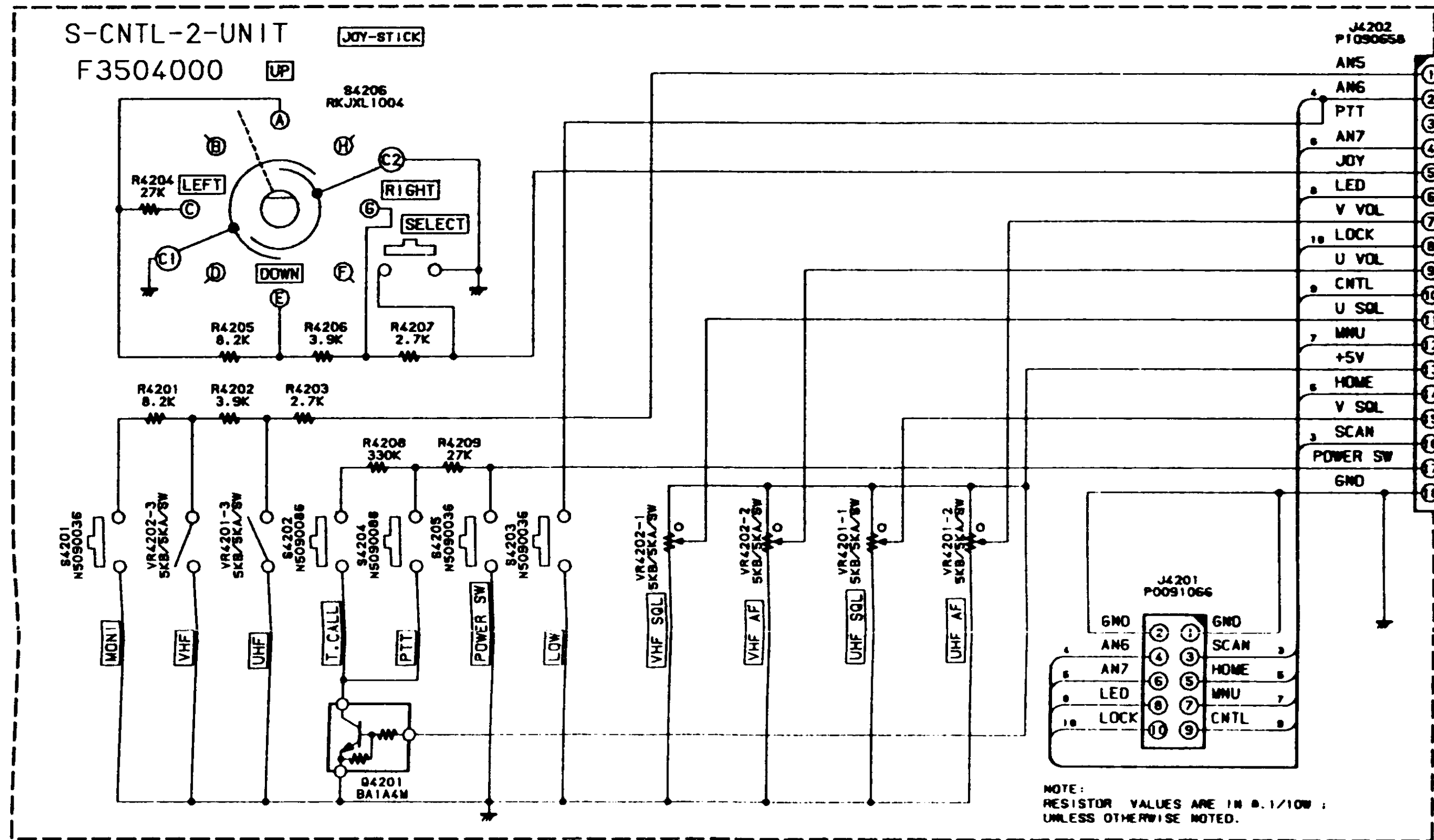


Scanned by SV1BSX
 Downloaded by RadioAmateur.EU

S-CNTL-1-UNIT F3503100

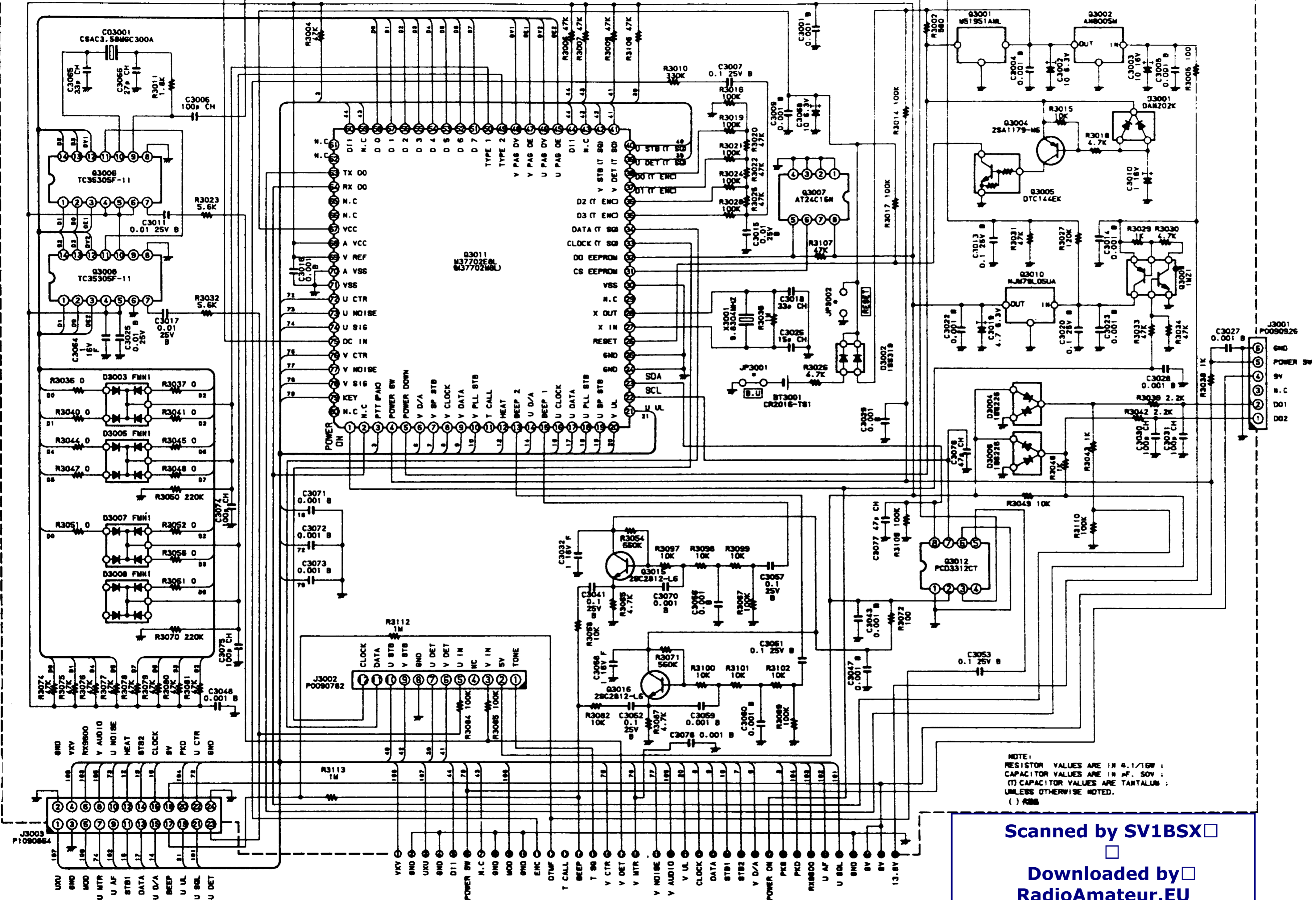


NOTE:
 RESISTOR VALUES ARE IN Ω, 1/10Ω;
 CAPACITOR VALUES ARE IN μF, 50V;
 (T) CAPACITOR VALUES ARE TANTALUM;
 UNLESS OTHERWISE NOTED.
 () BRMS

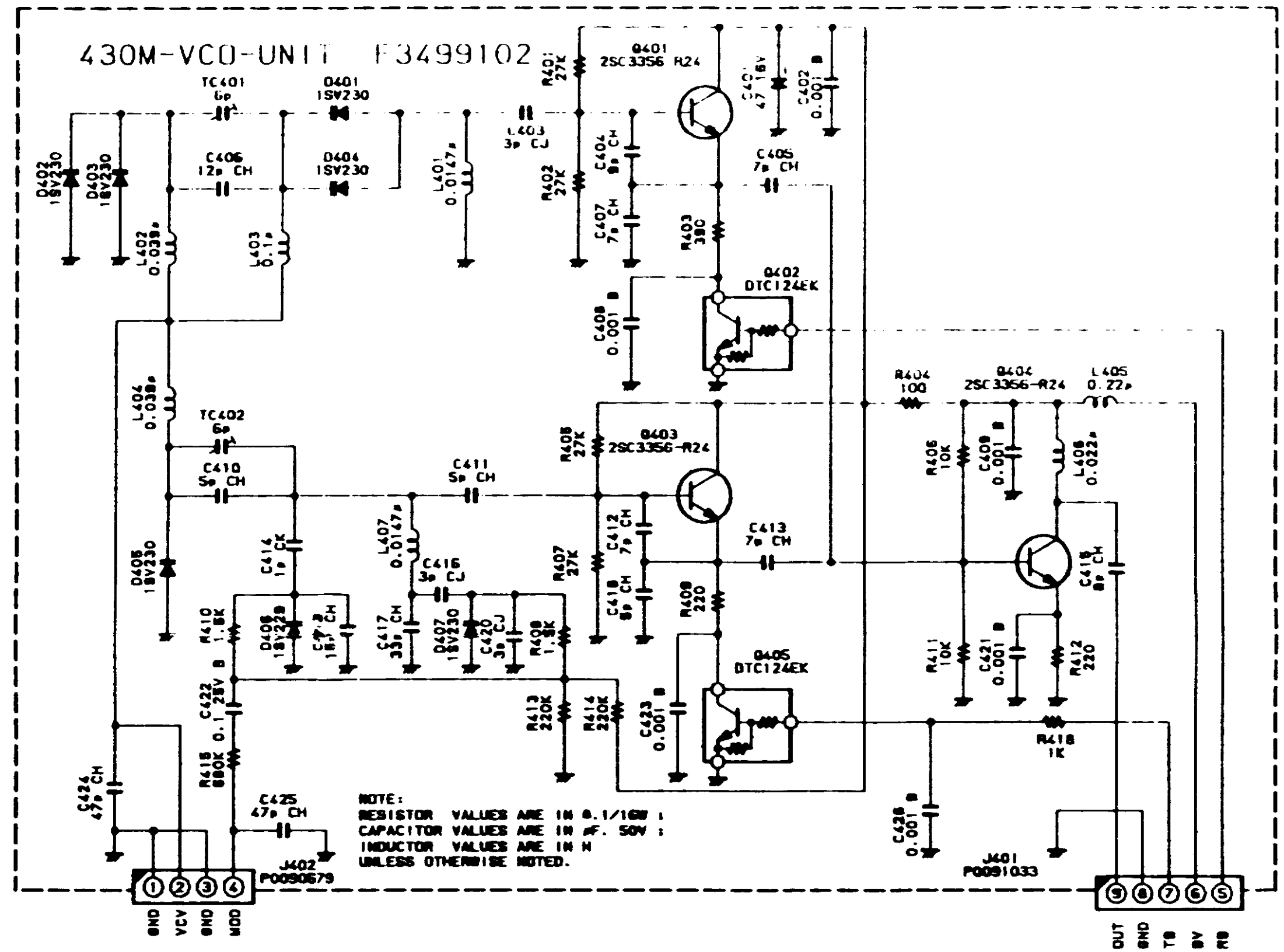
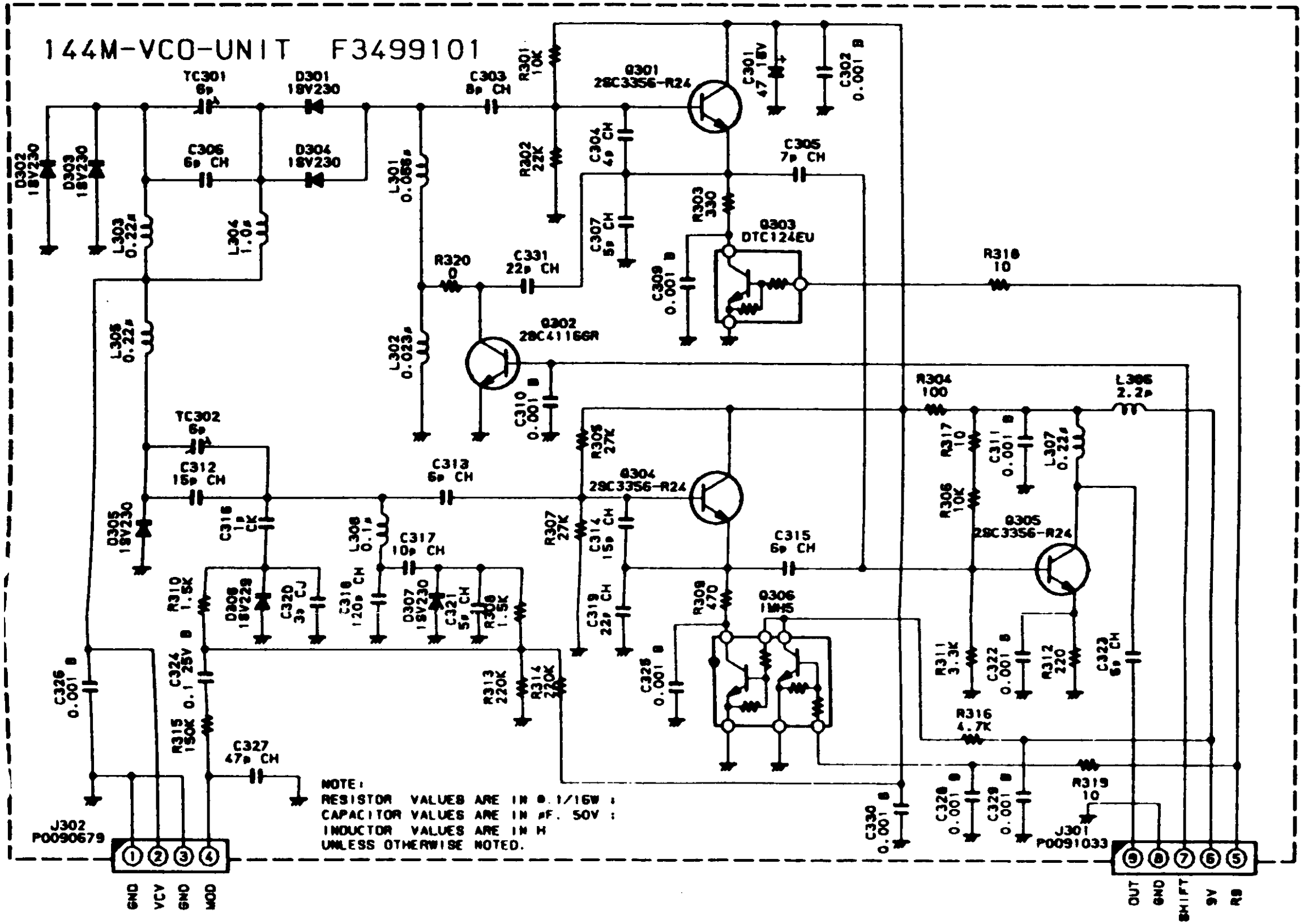


Scanned by SV1BSX

Downloaded by
RadioAmateur.EU



NOTE:
 RESISTOR VALUES ARE IN Ω, 1/16W;
 CAPACITOR VALUES ARE IN μF, 50V;
 (T) CAPACITOR VALUES ARE TANTALUM;
 UNLESS OTHERWISE NOTED.
 () RMB



Scanned by SV1BSX
Downloaded by RadioAmateur.EU